

# ADC AD-170

## 170-lb Capacity OPL Dryer

### Standard Features:

- 170-lb. capacity
- 51.20 cu. ft basket volume
- 550,000 btu/hr heat input, 3,700 cfm. airflow
- Radial airflow
- Self diagnostic microprocessor with patented auto drying feature
- Steel door with gasketless glass
- Reversing basket is standard
- Available in gas, steam and electric heat

### Optional Features:

- Stainless steel front, cabinet & basket
- S.A.F.E. (Sensor Activated Fire Extinguishing System)



AD-170 On-Premise Dryer

### Why Purchase ADC AD-170?

#### Engineer Driven Design That is Built to Last

Our dryers showcase ADC's engineer-driven approach to design. Bearings are permanently lubricated on the motor and drive system. There are no chains used at ADC; rather, we use V-belts and pulleys for smooth, quiet, and trouble free operation. Our dryer cabinets are electrostatically powder-painted inside and out then baked at 420-degrees Fahrenheit before final assembly - ensuring the hardest surface and the longest lasting finish in the industry.

#### Rugged Steel Door with Gasketless Door Glass

Our dryer doors are one solid piece of steel with gasketless glass. This eliminates the issue of glass falling out due to wear and tear on rubber gaskets that some manufacturers use to secure their glass. The security and durability that gasketless glass provides is essential to a successful laundromat operation.

#### Easy-to-Read, Multilingual Controls

We were the first to bring computer operated dryers to the market and today we continue to be a leader in applying technology to dryer operation. Our years of experience along with our accessible design, easy-to-read LED screens and our user friendly multi-lingual interface positions ADC as the pioneer in the laundry industry.

Your local ADC independent authorized distributor



# ADC AD-170

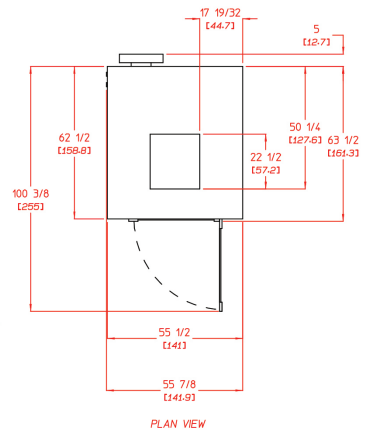
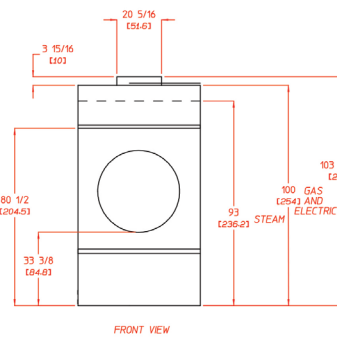
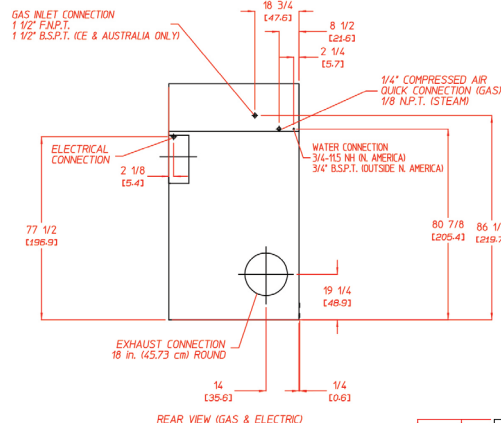
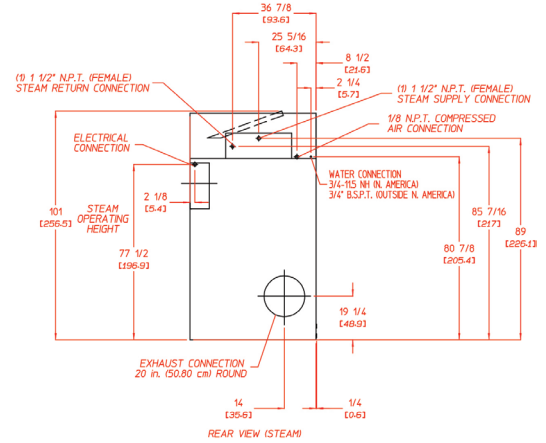
## AD-170 Specifications

|                               |  |  |         |
|-------------------------------|--|--|---------|
| Tumbler Capacity (Dry Weight) | 170 lbs. (77.11 kg)  |  |         |
| Tumbler Diameter              | 51-1/2" (130.81 cm)  |  |         |
| Tumbler Depth                 | 42-1/2" (107.95 cm)  |  |         |
| Tumbler Volume                | 51.20 cu ft (1,449.82 L)   |  |         |
| Tumbler/Drive Motor           | 1 hp (0.75 kW)   |  |         |
| Blower/Fan Motor              | 7-1/2 hp (5.59 kW)   |  |         |
| Door Opening (Diameter)       | 31-3/8" (79.69 cm)   |  |         |
| Door Sill Height              | 33-3/8" (84.77 cm)   |  |         |
| S.A.F.E. Water Connection     | North America<br>3/4" F.N.P.T. (11.5 N.H.)<br>Outside North America<br>3/4" B.S.P.T. |  |         |
| Dryers per 20'/40' Container  | 3 / 7  |  |         |
| Dryers per 48'/53' Truck      | 8 / 9  |  |         |
| Width                         | 55-7/8" (149.5 cm)   |  |         |
| Depth                         | 62-1/2" (158.7 cm)   |  |         |
| <b>Gas</b>                    | Voltage Available  | 208-575V 3ø 3,4w 50/60 Hz                                    |         |
|                               | Approximate Net Weight   | 2,103 lb (953.90 kg)   |         |
|                               | Approximate Shipping Weight  | 2,269 lb (1,029.20 kg)                                       |         |
|                               | Airflow  | 60 Hz 3,700 cfm (104.77 cmm)<br>50 Hz 3,700 cfm (104.77 cmm) |         |
|                               | Heat Input   | 550,000 Btu/hr (138,598 kcal/hr)                             |         |
|                               | Exhaust Connection (Diameter)  | 18" (45.72 cm)   |         |
|                               | Compressed Air Connection  | 1/4" Quick Connection  |         |
|                               | Compressed Air Volume  | 4.25 cfh (0.12 cmh)  |         |
| <b>Electric</b>               | Inlet Pipe Connection  | 1-1/2" F.N.P.T.<br>1-1/2" F.B.S.P.T. (CE and Australia Only) |         |
|                               | Voltage Available  | 380-480V 3ø 3,4w 50/60 Hz                                    |         |
|                               | Approximate Net Weight   | 2,103 lb (953.90 kg)   |         |
|                               | Approximate Shipping Weight  | 2,269 lb (1,029.20 kg)                                       |         |
|                               | Airflow  | 60 Hz 3,700 cfm (104.77 cmm)<br>50 Hz 3,700 cfm (104.77 cmm) |         |
|                               | Exhaust Connection (Diameter)  | 18" (45.72 cm)   |         |
|                               | Compressed Air Connection  | 1/4" Quick Connection  |         |
|                               | Compressed Air Volume  | 4.25 cfh 0.12 cmh  |         |
|                               | Oven Size  |  |         |
|                               | kW   | Btu/hr   | kcal/hr |
| 126                           | 429,900  | 108,300  |         |
| <b>Steam</b>                  | Voltage Available  | 208-480V 3ø 3,4w 50/60 Hz                                    |         |
|                               | Approximate Net Weight   | 2,259 lb (1,024.67 kg)                                       |         |
|                               | Approximate Shipping Weight  | 2,425 lb (1,099.96 kg)                                       |         |
|                               | Airflow  | 60 Hz 4,400 cfm (124.59 cmm)<br>50 Hz 4,400 cfm (124.59 cmm) |         |
|                               | Steam Consumption  | 520 lb/hr (236 kg/hr)  |         |
|                               | Operating Steam Pressure   | 125 psi max (8.62 bar)                                       |         |
|                               | Exhaust Connection (Diameter)  | 20" (50.80 cm)   |         |
|                               | Compressed Air Connection**  | 1/8" N.P.T.  |         |
|                               | Compressed Air Volume **   | 5.00 cfh (0.14 cmh)  |         |
|                               | Boiler HP (Normal Load)  | 14.5 Bhp   |         |
| Standard Supply Connections † | (1) 1-1/2" M.N.P.T.  |  |         |
| Standard Return Connections † | (1) 1-1/2" M.N.P.T.  |  |         |

Specifications in parentheses are metric equivalents.

01/16/15

**IMPORTANT:** Dryer requires a clean, dry and regulated 80 PSI +/- 10 PSI (5.51 bar +/- 0.68 bar) air supply.



| Electrical Service Specifications |       |              |                 |       |                 |
|-----------------------------------|-------|--------------|-----------------|-------|-----------------|
| SERVICE VOLTAGE                   | PHASE | WIRE SERVICE | APPROX AMP DRAW |       | CIRCUIT BREAKER |
|                                   |       |              | 60 Hz           | 50 Hz |                 |
| <b>126 kW (Nominal) Electric</b>  |       |              |                 |       |                 |
| 380                               | 3ø    | 4*           | 105             | 176   | 250             |
| 416                               | 3ø    | 4*           | --              | 191   | 250             |
| 440                               | 3ø    | 3            | 152             | --    | 200             |
| 460                               | 3ø    | 3            | 159             | --    | 200             |
| 480                               | 3ø    | 3            | 166             | --    | 225             |
| 575                               | 3ø    | 3            | 102             | --    | 150             |

| Electrical Service Specifications |       |              |                 |       |                 |
|-----------------------------------|-------|--------------|-----------------|-------|-----------------|
| SERVICE VOLTAGE                   | PHASE | WIRE SERVICE | APPROX AMP DRAW |       | CIRCUIT BREAKER |
|                                   |       |              | 60 Hz           | 50 Hz |                 |
| <b>GAS &amp; STEAM</b>            |       |              |                 |       |                 |
| 208                               | 3ø    | 3            | 29              | --    | 40              |
| 220                               | 3ø    | 3            | 28              | 28    | 40              |
| 230                               | 3ø    | 3            | 27              | 32    | 40              |
| 240                               | 3ø    | 3            | 27              | --    | 40              |
| 380                               | 3ø    | 3            | 17              | 17    | 30              |
| 400                               | 3ø    | 4*           | --              | 17    | 30              |
| 416                               | 3ø    | 4*           | --              | 16    | 20              |
| 440                               | 3ø    | 3            | 15              | --    | 20              |
| 460                               | 3ø    | 3            | 14              | --    | 20              |
| 480                               | 3ø    | 3            | 14              | --    | 20              |
| 575                               | 3ø    | 3            | 18              | --    | 30              |

P/N 451028 Rev. 09/07/15

88 Currant Road Fall River, MA 02720-4781 • 508.678.9000 • Fax: 508.678.9447 • Email: sales@amdry.com

www.adclaundry.com