



# IT075

## TUMBLE DRYER

### FOR ON-PREMISES LAUNDRY APPLICATIONS

**INDUSTRIAL  
BY DESIGN**



Over-dry Prevention Technology (OPT) offers unmatched levels of accuracy, resulting in a pinpoint dryness reading throughout the entire load. Specialized sensors located within the lifters are connected to our revolutionary rotary transfer switch to determine the exact moment your linens are dry, which helps eliminate overdrying and increases throughput. Additionally, it reduces utility consumption, saving hundreds of dollars a year in unnecessary energy costs.

OPT is available in IPSO's OPTimum™ control, which offers 30 programmable drying cycles for greater operating efficiency and is easy to train staff to operate. It also delivers flexibility with simple customization of cycles. The OPTimum control is available on all IPSO-tumblers.

## Unmatched Industrial Reliability

- Large door & door opening
  - Easy loading & unloading
  - Extra strong hinge
  - Reversible door
- Standard galvanized drum
  - Oval drum holes preventing damage from standard drywall screws
- Large lint filter: deposit of lint into large storage area
  - Easy removal of lint
  - Efficient drying
  - Self cleaning filter: no longer manual cleaning of the filter necessary
- Radial airflow
  - Drum perforations over the entire surface
  - High production
  - Pulley drive system
- Reversing
  - Prevents tangling of the linen
- CARE = Combustion Auto Response Equipped
  - A response to laundry combustion
  - Prevents early laundry fire by constantly monitoring the temperature in the drum
  - In case of excessive temperature, the linen is sprayed with water

## Easy to Use Simplicity

- Dual Digital Timer
  - Economic control
  - Easy to use
  - Select time, temperature and cooling time
- OPTimum control
  - Easy to operate
  - Easy to program
  - 30 programmable cycles
  - 3 cycle types
  - Time Dry: programmable time and temperature
  - Auto Dry: 11 programmable automatic dryness levels and programmable temperature
  - Moisture Dry: will dry to the programmed moisture level at programmed temperature

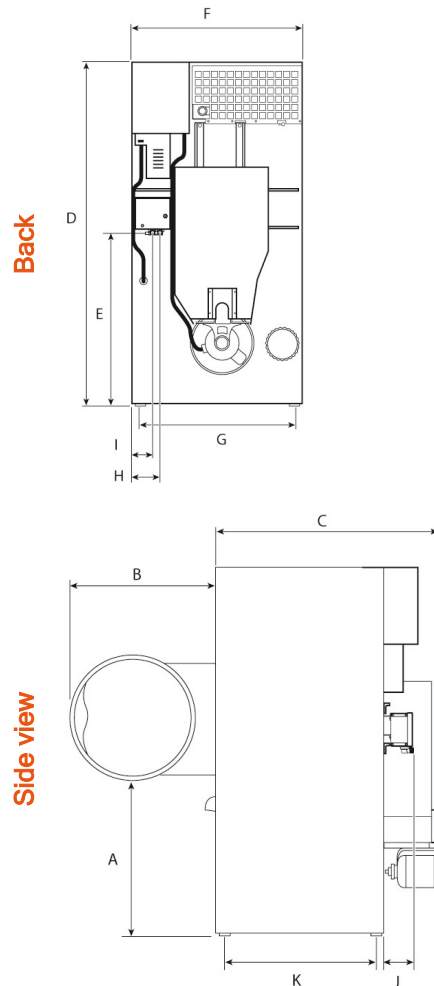
# IT075

## Technical specifications

|                                      |                  |
|--------------------------------------|------------------|
| Filling ratio (20:1) (lb)            | 70               |
| Dry weight capacity (lb)             | 75               |
| Cylinder                             |                  |
| Volume (cu ft)                       | 22.4             |
| Diameter (inch)                      | 37               |
| Depth (inch)                         | 36               |
| Reversing door                       | optional         |
| Door opening diameter (inch)         | 26.89            |
| Temperature min (°F)                 | 100.4            |
| Temperature max (°F)                 | 190.4            |
| Power motor non-reversing            |                  |
| Cylinder (hp)                        | 0.75             |
| Fan (hp)                             | 0.75             |
| Power motor reversing                |                  |
| Cylinder (hp)                        | 0.33             |
| Fan (hp)                             | 0.33             |
| Exhaust flow rate (60 Hz) (cfm)      | 750              |
| Diameter (inch)                      | 8                |
| Power                                |                  |
| Electric heating (kW)                | 30               |
| Gas heating (Btu/h)                  | 165,000          |
| Gas heating (kcal)                   | 41,580           |
| Steam heating                        |                  |
| @ 6.9 bar (bhp) / (Btu/h)            | 6.1 / 210,300    |
| @ 1.0 bar (bhp) / (Btu/h)            | 4.1 / 141,000    |
| Steam connection inlet               | 3/4"             |
| Steam connection outlet              | 3/4"             |
| Gas connection                       | 1/2"             |
| Gas connection - Pressure NG/LP (mb) | 20 / 28.37       |
| Std Pkg Ship Dim. (HxWxD) (inch)     | 81 x 41.5 x 56.4 |
| Noise level (dBA)                    | 65               |
| Weight - gross (lb)                  | 677              |
| Weight - nett (lb)                   | 615              |
| C.A.R.E.                             | optional         |

## Type of heating

|   |       |
|---|-------|
| Steam / gas heating 120/60/1                | 13.8A |
| Steam / gas heating (rev.) 120/60/1         | 13A   |
| Steam / gas heating 200-208/240/60/1        | 7.6A  |
| Steam / gas heating (rev.) 200-208/240/60/1 | 7A    |
| Steam / gas heating 200-208/240/60/3        | 3.8A  |
| Steam / gas heating (rev.) 200-208/240/60/3 | 4.3A  |
| Steam / gas heating 460-480/60/3            | 1.9A  |
| Steam / gas heating (rev.) 460-480/60/3     | 2.1A  |
| Electric heating 208/60/3                   | 89A   |
| Electric heating (rev.) 208/60/3            | 88A   |
| Electric heating 240/60/3                   | 79A   |
| Electric heating (rev.) 240/60/3            | 78A   |
| Electric heating 480/60/3                   | 38A   |
| Electric heating (rev.) 480/60/3            | 38A   |



gas/elec A 30.75 inch B 33.86 inch C 54.25 inch D 76.61 inch  
 E 35.98 inch F 38.62 inch G 32.99 inch H 7.09 inch I 5.51 inch J  
 6.54 inch K 35.51 inch  
 steam A 30.75 inch B 33.86 inch C 54.25 inch D 80.00 inch E  
 35.98 inch F 38.62 inch G 32.99 inch H 7.09 inch I 5.51 inch J  
 6.54 inch K 35.51 inch

All specifications subject to change without notice