



ITT30

STACK TUMBLE DRYERS

FOR ON-PREMISES LAUNDRY APPLICATIONS

INDUSTRIAL
BY DESIGN

Unmatched Industrial Reliability

- Double capacity in the same floor space
- Extra large cylinder capacity
- Large door & door opening
 - Easy loading & unloading
 - Extra strong hinge
- Standard galvanized drum
 - Oval drum holes preventing damage from standard drywall screws
- Unique suspension system
 - At the rear: bearing
 - At the front: support rollers with bearings
- Large lint filter: deposit of lint into large storage area
 - Easy removal of lint
 - Efficient drying
- Axial airflow
 - Drum perforations only at the front & at the back
 - Maximum airflow & less energy consumption: energy-efficient & short drying times

Easy to Use Simplicity

- Dual Digital Timer
 - Economic control
 - Easy to use
 - Select time, temperature and cooling time
- OPTimum control
 - Easy to operate
 - Easy to program
 - 30 programmable cycles
 - 3 cycle types
 - Time Dry: programmable time and temperature
 - Auto Dry: 11 programmable automatic dryness levels and programmable temperature
 - Moisture Dry: will dry to the programmed moisture level at programmed temperature



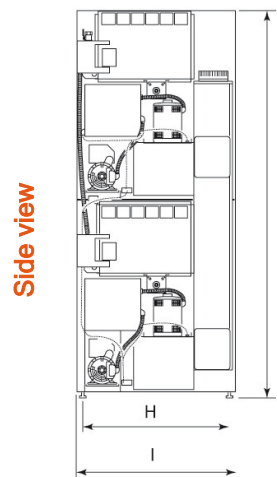
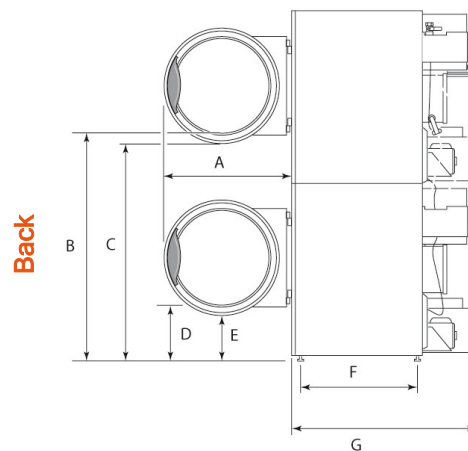
Over-dry Prevention Technology (OPT) offers unmatched levels of accuracy, resulting in a pinpoint dryness reading throughout the entire load. Specialized sensors located within the lifters are connected to our revolutionary rotary transfer switch to determine the exact moment your linens are dry, which helps eliminate overdrying and increases throughput. Additionally, it reduces utility consumption, saving hundreds of dollars a year in unnecessary energy costs.

OPT is available in IPSO's OPTimum™ control, which offers 30 programmable drying cycles for greater operating efficiency and is easy to train staff to operate. It also delivers flexibility with simple customization of cycles. The OPTimum control is available on all IPSO-tumblers.

ITT30

Technical specifications	
Filling ratio (20:1) (lb)	33
Dry weight capacity (lb)	2x30
Cylinder	
Volume (cu ft)	10.6
Diameter (inch)	30
Depth (inch)	26
Door opening diameter (inch)	22.68
Temperature min (°F)	100.4
Temperature max (°F)	190.4
Power motor non-reversing	
Cylinder (hp)	0.25
Fan (hp)	0.25
Exhaust flow rate (60 Hz) (cfm)	400
Diameter (inch)	1x8"
Power	
Electric heating (kW)	21
Gas heating (Btu/h)	73,000
Gas heating (kcal)	18,390
Steam heating	
@ 6.9 bar (bhp) / (Btu/h)	3.2 / 111,000
@ 1.0 bar (bhp) / (Btu/h)	2.2 / 74,000
Steam connection inlet	3/4"
Steam connection outlet	3/4"
Gas connection	1/2"
Gas connection - Pressure NG/LP (mb)	20 / 28.37
Packing dimensions	
Height (inch)	81
Width (inch)	32.5
Depth (inch)	47
Noise level (dBA)	66
Weight	
Gross (Gas/elec) (lb)	582
Gross (Steam) (lb)	582
Nett (Gas/elec) (lb)	544
Nett (Steam) (lb)	544
Available controls	
DX4 (coin or OPL)	standard
OPTimum (OPL only)	optional

Type of heating	
Steam / gas heating 120/208-240/60/1 (120V)	16A
Steam / gas heating 120/208-240/60/1 (240V)	8A
Steam / gas heating 200-208/240/60/3	6.4A
Steam / gas heating 460-480/60/3	3.3A
Electric heating 208/60/3	124A
Electric heating 240/60/3	108A
Electric heating 480/60/3	54A



A 27.99 inch F 25.04 inch
 B 49.02 inch G 42.76 inch
 C 48.27 inch H 27.36 inch
 D 11.42 inch I 31.50 inch
 E 10.71 inch J 76.26 inch